

## SPECTOR*modul* self monitoring high level limiter system

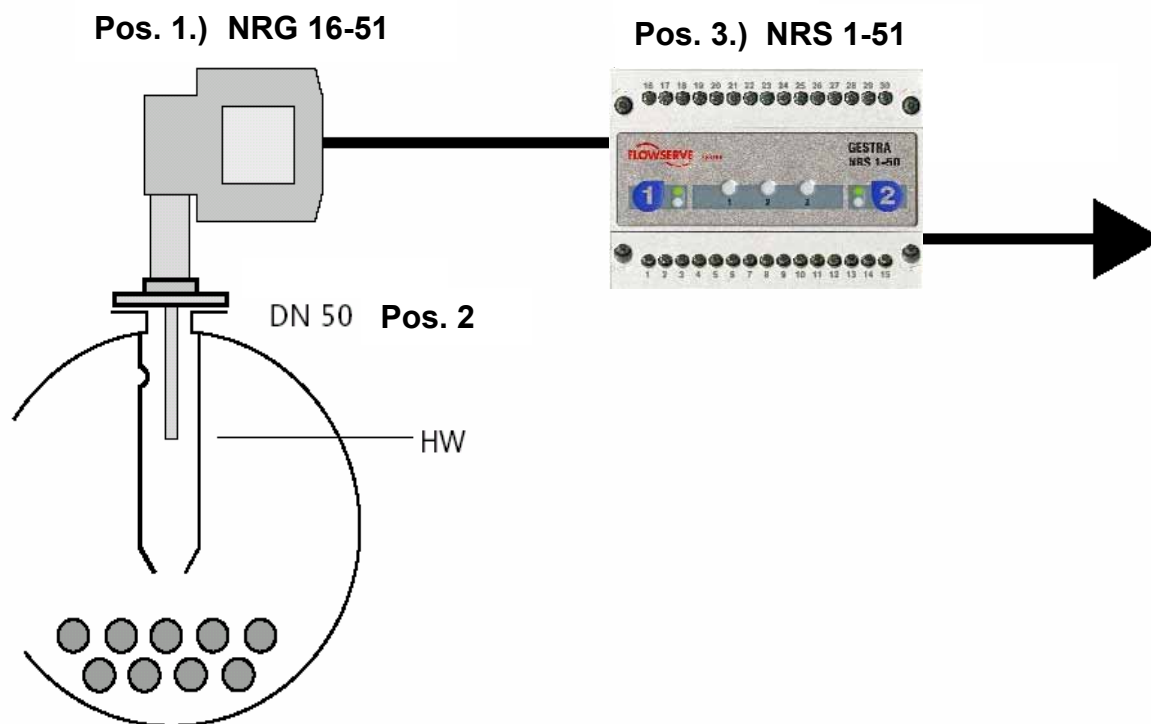
For operation without supervision up to 72h acc to TRD 604

High level limiter, self monitoring with periodic self check

Functional safety according to EN 61508, SIL 3 - certificate

VdTÜV-Merkblatt: TÜV SHWS 09-423

EG-Type Approval: IS-TAF-MUC 09 08 103881 006



Pos.	Pcs.		Sum
1	1	<b>High water level electrode type NRG 16-51</b> Gestra SPECTOR <i>modul</i> System PN 40, G $\frac{3}{4}$ " Self monitoring high level limiter electrode Electrode length : L = 500 mm Order code : 313.16.42	
2	1	<b>Flange DN 50 / PN 40 G <math>\frac{3}{4}</math>"</b> Center bore / thread: : G $\frac{3}{4}$ " Material : 1.0460 Order code : 339.18.05	

Pos.	Pcs.		Sum
3	1	<p><b>Level switch type NRS 1-51b</b>                      Gestra SPECTOR<i>modul</i> System  <b>ONE</b>-Electrode-Amplifier                      Safety-Integrity-Level SIL 3                      in combination with <b>one</b> NRG 16-51 electrode                      Plastic housing                      Time delay 3 sec.                      Sensivity 0,5µS/cm  <b>Output:</b>                      Two separate, positively driven contacts                      for the safety circuit                      One not delayed signalling output  <b>Operating elements / Display:</b>                      Test- and diagnostic push button                      Operating and alarm indicator LED's                      3 Operating and diagnostic-LED's                      Power supply : 24 VDC +/- 20%                      Ordercode : 310.15.41</p>	

**Alternatives:**

- Power supply 100-230 V +10/-15%, 47-63 Hz  
 Order code : 310.XX.XX.50
- Time delay 15Sek.  
 Order code : 310.XX.XX.53
- Sensivity 0,5µS/cm  
 Order code : 310.XX.XX.55
-